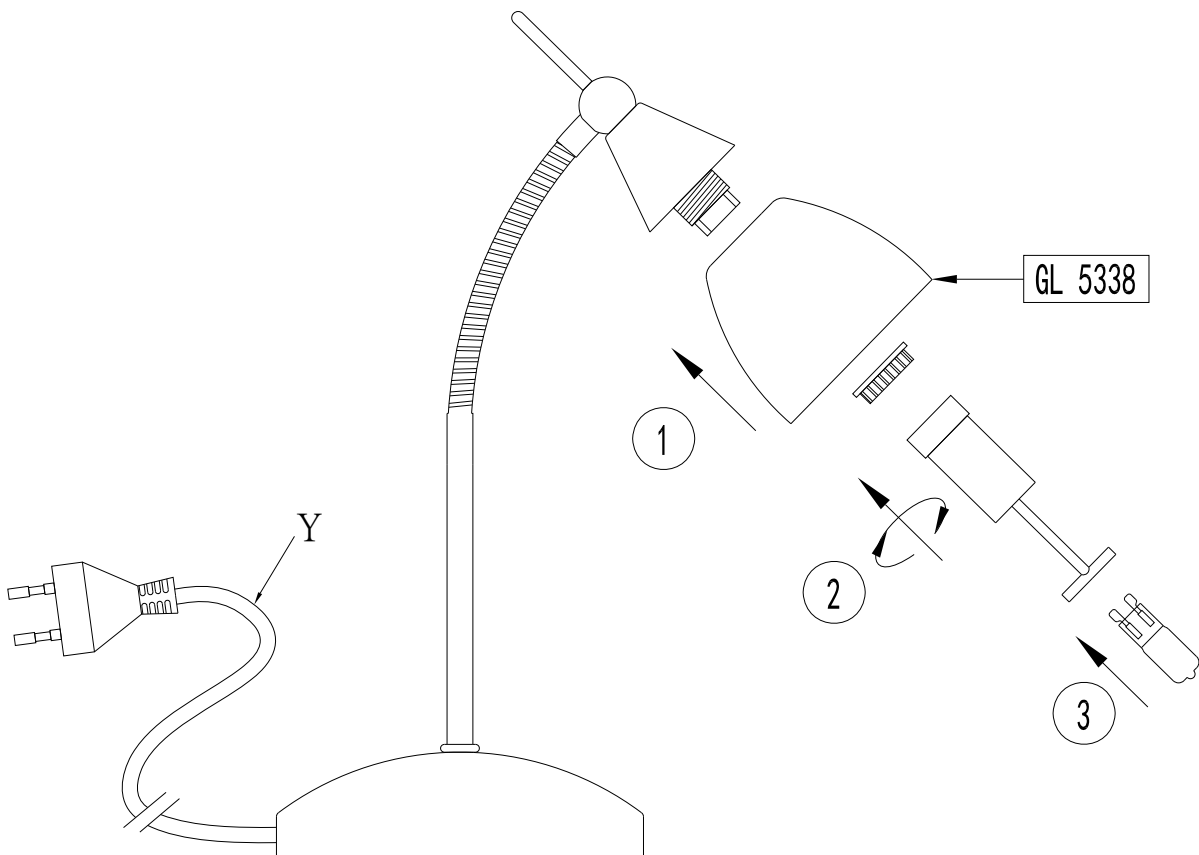


	W	28W	816975/816976/821481/816973	
	lm	370 Lm		
	T _K	2.800 K	1xG9/28W	



10/2018