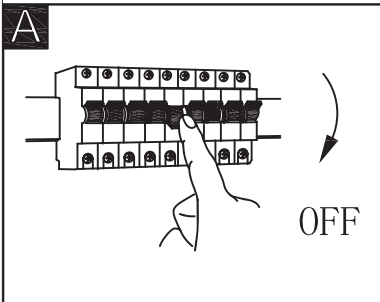


# GLOBO

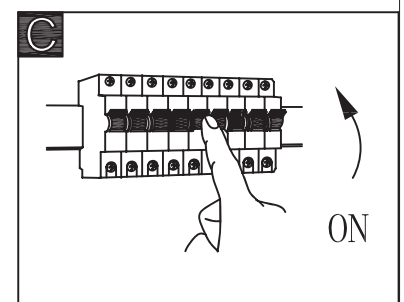
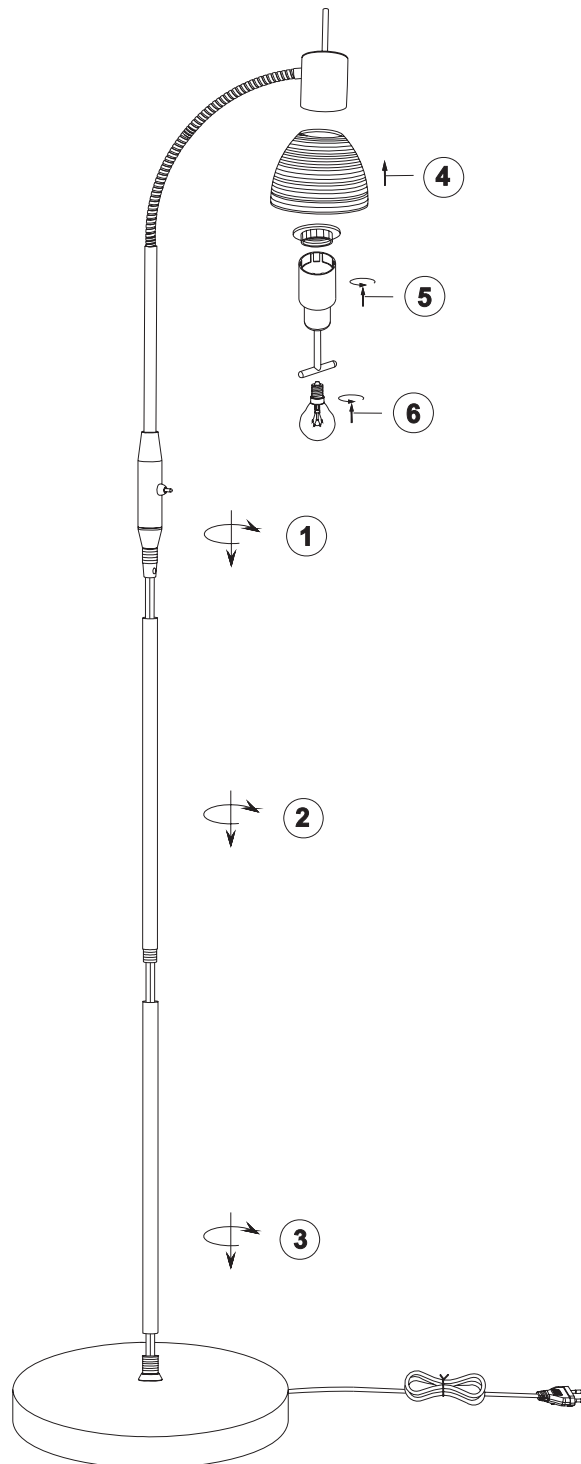
LIGHTING

[www.globo-lighting.com](http://www.globo-lighting.com)

54533-1S



**B**



GLOBO Handels GmbH  
St. Peter 38  
A-9184 St. Jakob / Rosental