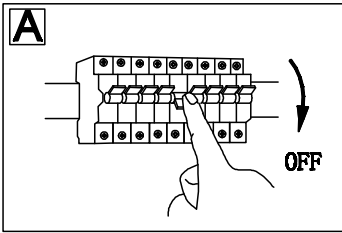


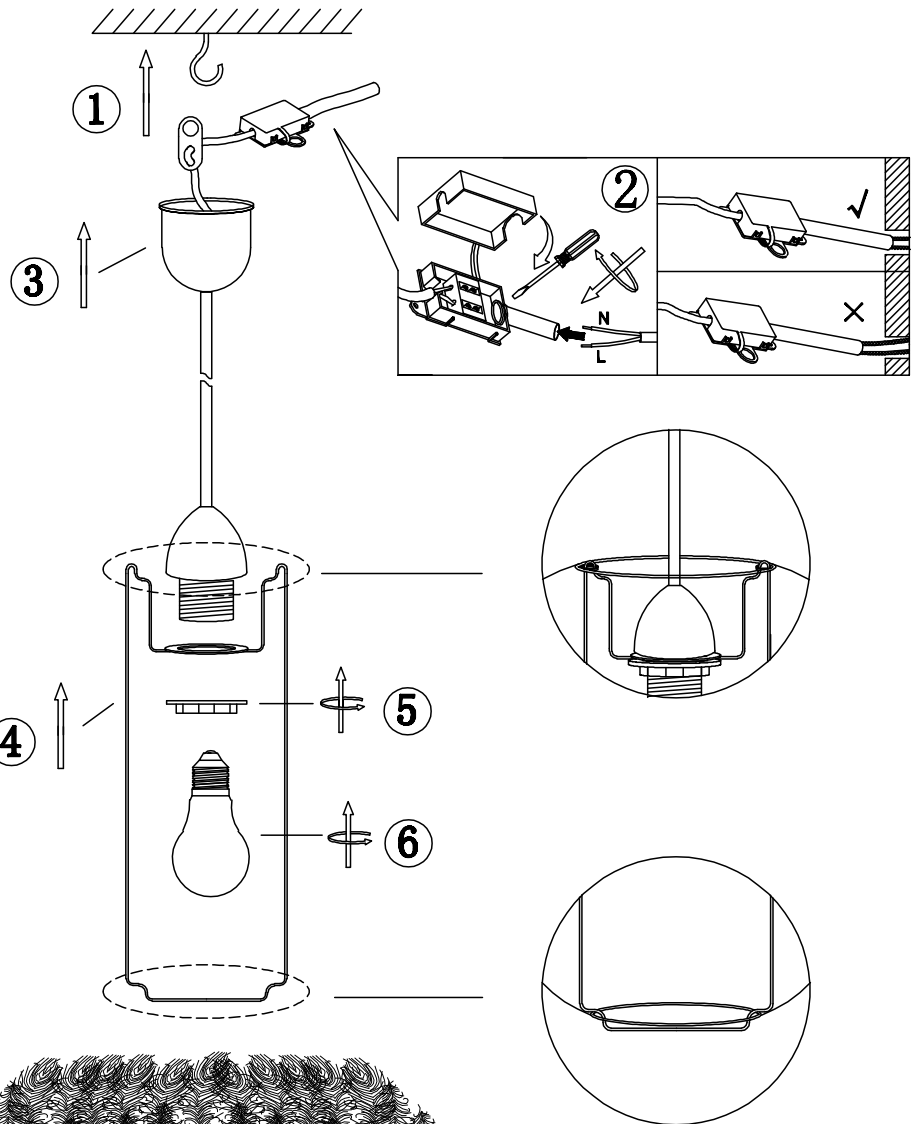
# GLOBO

LIGHTING

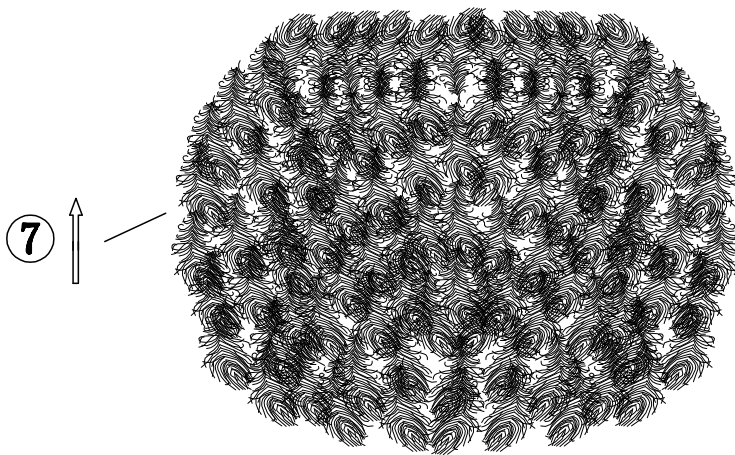
[www.globo-lighting.com](http://www.globo-lighting.com)



**B**



15057  
15058



GLOBO Handels GmbH  
St. Peter 38  
A-9184 St. Jakob / Rosental

