

997138

230V/50Hz~



4 x E27 max. 60W

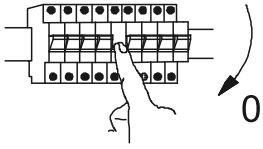
2x



2x



1



Ø6mm

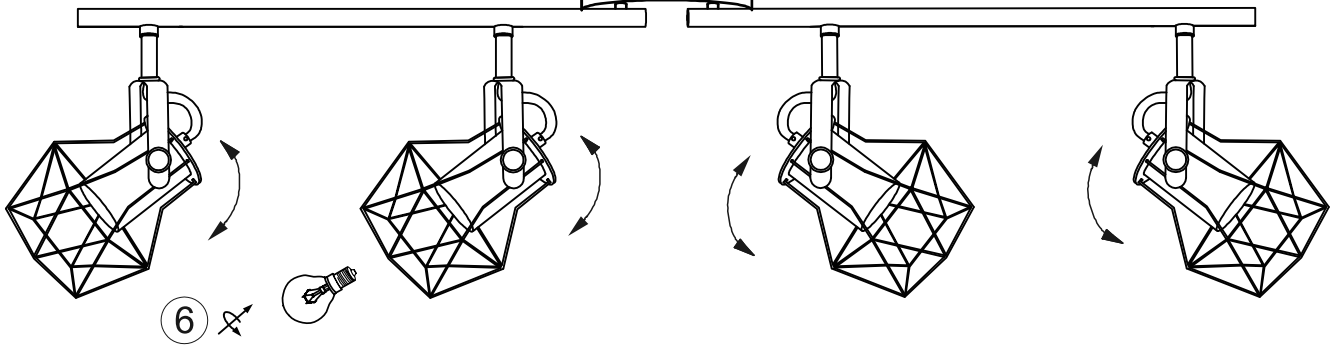
2

5

3

4

a = ⊕
b = N
c = L



6

7

